



Commercial Specification Grade Locking Devices

2 Pole, 2 Wire Non-Grounding
 2 Pole, 3 Wire Grounding
 NEMA L1-15, 15A 125V
 NEMA L5-15, 15A 125V
 NEMA L6-15, 15A 250V
 NEMA L7-15, 15A 277V

15A 2 Pole 3 Wire Commercial Specification Grade Locking Plugs and Connectors

FEATURES

- Abuse resistant thermoplastic construction.
- Back wire Dead-Front design.
- Thermoplastic plugs have external cable clamp which provides firm strain relief.
- Nylon plugs have internal Autogrip® style strain relief for fast wiring.
- Back wire terminal clamps for easy secure wiring.
- Individual wiring compartments with tapered channel for easy insertion of wires.
- Clear cover over wiring compartments allow easy inspection of wiring terminations.
- Clearly marked rating, NEMA configuration and standard compliances on face of plug or connector.
- Nylon Plugs and connectors have slot/Phillips combination head screws.



4579



L115P



4720



4570

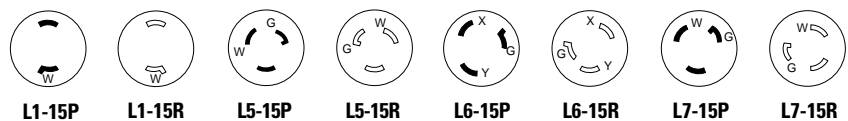
Commercial Specification Grade Thermoplastic Locking Plugs and Connectors

Rating A	V/AC	NEMA	Description/ Cord Diameter	Color	Catalog No.	
					Plug	Connector
15	125	L1-15	Commercial Grade: 0.25"-0.69" (6.4mm-17.5mm)	Black & White	L115P	—
15	125	L5-15	Straight: 0.25"-0.69" (6.4mm-17.5mm)	Black & White	4720	4729
					Angle: 0.25"-0.69" (6.4mm-17.5mm)	Black & White
15	250	L6-15	Straight: 0.25"-0.69" (6.4mm-17.5mm)	Black & White	4570	4579
					Angle: 0.25"-0.69" (6.4mm-17.5mm)	Black & White
15	277	L7-15	Straight: 0.25"-0.69" (6.4mm-17.5mm)	Black & White	4770	4779

Commercial Specification Grade Nylon Locking Plugs and Connectors

Rating A	V/AC	NEMA	Description/ Cord Diameter	Color	Catalog No.	
					Plug	Connector
15	125	L5-15	Straight: 0.250"-0.656" (6.4mm-16.7mm)	Yellow	3473-3	3493-3
15	250	L6-15	Straight: 0.250"-0.656" (6.4mm-17.5mm)	Yellow	3474-3	3494-3
15	277	L7-15	Straight: 0.250"-0.656" (6.4mm-17.5mm)	Yellow	3475-3	3495-3

NOTE: Weather Protective Boots from Cooper Wiring Devices that may be used with these products are described on page E-72 in this section.



INDUSTRIAL
COMMERCIAL

E-33 LOCKING DEVICES

TESTING & CODE COMPLIANCE

- Listed to UL 498, (file no. E15012) except Nylon Plugs, Connectors, (file no. E3663).
- CSA Certified to C22.2 no. 42 (file no. LR2081 (6221-02)) except Nylon Plugs, Connectors (file no. LR7087).

MATERIAL CHARACTERISTICS

Thermoplastic Plugs & Connectors: Polycarbonate and PVC.
 Nylon Plugs, Connectors: Nylon.
 Environmental: Flammability per UL 94 requirements.
 Thermoplastic Plugs & Connectors V2 rated.
 Temperature Rating: Thermoplastic Plugs, Connectors: -20°C to 60°C.
 Nylon Plugs, Connectors: -40°C to 75°C.

Commercial Specification Grade Locking Devices

2 Pole, 3 Wire Grounding
 NEMA L5-20, 20A 125V
 NEMA L6-20, 20A 250V
 NEMA L7-20, 20A 277V
 NEMA L24-20, 20A 347V
 NEMA L8-20, 20A 480V
 NEMA L9-20, 20A 600V



INDUSTRIAL
COMMERCIAL

E-34 LOCKING DEVICES

TESTING & CODE COMPLIANCE

- Listed to UL 498 Plugs, Connectors: (file no. E15012) Receptacles: (file no. E15058).
- Receptacles are UL Listed to Federal Spec WC-596.
- CSA Certified. C22.2 no. 42, Receptacles (file no. LR6914 (6233-01)); Plugs, Connectors (file no. LR2081 (6221-02)).
- NOM Certified, except as noted.

MATERIAL CHARACTERISTICS
 Receptacles: Nylon.
 Plugs, Connectors: Polycarbonate & PVC.
 Meets flammability requirements per UL 94, V2 rated.
 Temperature Rating: Receptacles: -40°C to 70°C; Plugs & Connectors: -20°C to 60°C.

20A 2 Pole, 3 Wire Commercial Specification Grade Receptacles

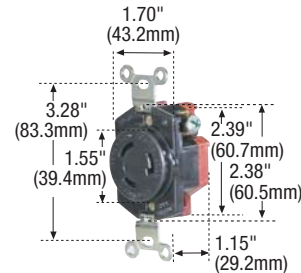
FEATURES

- Rugged nylon face and body.
- Clearly marked rating, NEMA configuration and approval listings on receptacle face.
- One piece brass contacts offer superior performance and minimum heat rise.
- Back wire terminal clamps for easy secure wiring.
- Combination head screws standard - slot/Phillips.

Commercial Specification Grade Receptacles

Rating	A	V/AC	NEMA	Description	Color	Catalog No.
20	125		L5-20	Single	Black	L520R
20	250		L6-20	Single	Black	L620R
20	277		L7-20	Single	Black	L720R*
20	347		L24-20	Single	Black	L2420R*
20	480		L8-20	Single	Black	L820R*
20	600		L9-20	Single	Black	L920R*

*Not NOM



L520R



L620P



L620C



L520C

20A 2 Pole, 3 Wire Commercial Specification Grade Locking Plugs and Connectors

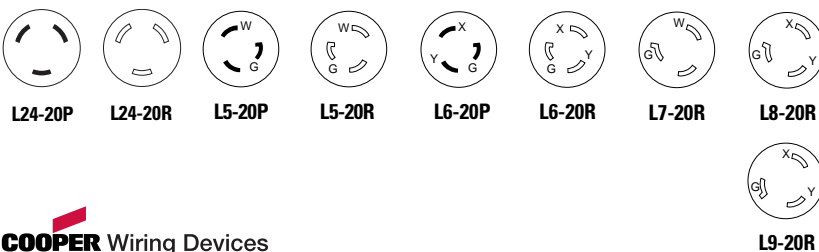
FEATURES

- Abuse resistant thermoplastic construction.
- Back wire Dead-Front design.
- External cable clamp provides firm strain relief.
- Back wire terminal clamps for easy secure wiring.
- Individual wiring compartments with tapered channel for easy insertion of wires.
- Triple combination head screws standard - slot/Phillips/Robertson for use in the U.S. and Canada.
- Clear cover over wiring compartments allow easy inspection of wiring terminations.

Commercial Specification Grade Locking Plugs and Connectors

Rating	A	V/AC	NEMA	Description/ Cord Diameter	Color	Plug	Connector
20	125		L5-20	Straight: 0.25"-0.69" (6.35mm-17.5mm)	Black & White	L520P	L520C
20	250		L6-20	Straight: 0.25"-0.69" (6.35mm-17.5mm)	Black & White	L620P	L620C
20	347		L24-20	Straight: 0.25"-0.69" (6.35mm-17.5mm)	Black & White	L2420P	L2420C

NOTE: Weather Protective Covers from Cooper Wiring Devices that may be used with these products are described on page E-71 in this section.

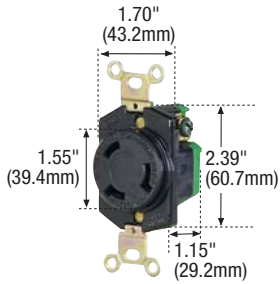




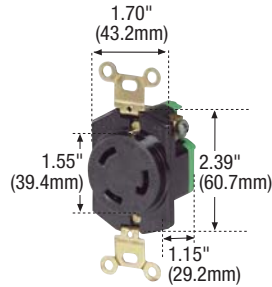
Commercial Specification Grade Locking Devices

2 Pole, 3 Wire Grounding
NEMA FSL1-30, 30A 28V/DC
NEMA FSL2-30, 30A 120V
NEMA L5-30, 30A 125V
NEMA L6-30, 30A 250V
NEMA L7-30, 30A 277V
NEMA L8-30, 30A 480V
NEMA L9-30, 30A 600V

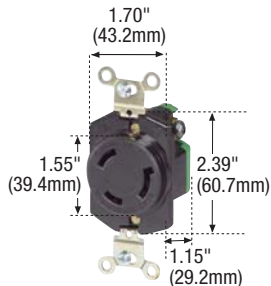
30A 2 Pole, 3 Wire Commercial Specification Grade Receptacles



FSL130R



L530R



L930R



L530P



L530C

FEATURES

- Rugged nylon face and body.
- Clearly marked rating, NEMA configuration and approval listings on receptacle face.
- One piece brass contacts offer superior performance and minimum heat rise.
- Back wire terminal clamps for easy secure wiring.
- Combination head screws standard - slot/Phillips.

Commercial Specification Grade Receptacles

Rating	A	V/AC	NEMA	Description	Color	Catalog No.
	30	28V/DC	FSL1-30	Single	Black	FSL130R*
	30	120, 400HZ	FSL2-30	Single	Black	FSL230R*
	30	125	L5-30	Single	Black	L530R
	30	250	L6-30	Single	Black	L630R
	30	277	L7-30	Single	Black	L730R*
	30	480	L8-30	Single	Black	L830R*
	30	600	L9-30	Single	Black	L930R*

*Not NOM

30A 2 Pole, 3 Wire Commercial Grade Locking Plugs and Connectors

FEATURES

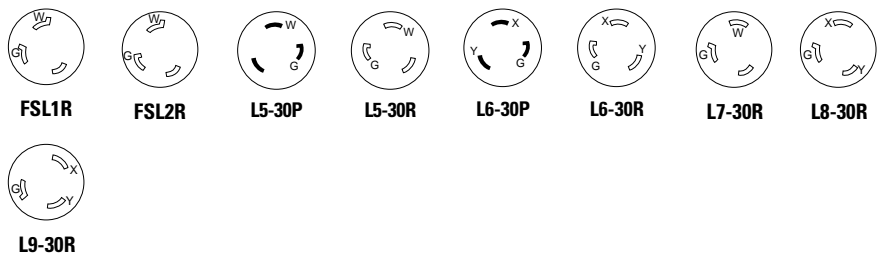
- Abuse resistant thermoplastic construction.
- Back wire Dead-Front design.
- External cable clamp provides firm strain relief.
- Back wire terminal clamps for easy secure wiring.
- Individual wiring compartments with tapered channel for easy insertion of wires.
- Triple combination head screws standard - slot/Phillips/Robertson for use in the U.S. and Canada.
- Clear cover over wiring compartments allow easy inspection of wiring terminations.
- Clearly marked rating, NEMA configuration and standard compliances on face of plug or connector.

Commercial Grade Locking Plugs and Connectors

Rating	A	V/AC	NEMA	Description/ Cord Diameter	Color	Plug	Catalog No. Connector
	30	125	L5-30	Straight: 0.25"-0.69" (6.35mm-17.5mm)	Black & White	L530P	L530C*
	30	250	L6-30	Straight: 0.25"-0.69" (6.35mm-17.5mm)	Black & White	L630P	L630C*

*Not Federal Spec.

NOTE: Weather Protective Covers from Cooper Wiring Devices that may be used with these products are described on pages E-71 in this section.



INDUSTRIAL
COMMERCIAL

E-35
LOCKING
DEVICES

TESTING & CODE COMPLIANCE

- Listed to UL 498 Receptacles (file no. E15058) Plugs & Connectors: (file no. E15012).
- UL Listed to Federal Spec. WC-596.
- CSA Certified to C22.2 no. 42. Receptacles: (file no. LR6914 (6233-01)). Plugs & Connectors: (file no. LR2081 (6221-01)).
- NOM Certified, except as noted.

MATERIAL CHARACTERISTICS

- Receptacles: Nylon.
- Plugs, Connectors: Polycarbonate.
- Meets flammability requirements per UL 94. V2 rated.
- Temperature Rating: Receptacles: -40°C to 70°C. Plugs & Connectors: -20°C to 60°C.

Commercial Specification Grade Locking Devices

3 Pole, 3 Wire Non-Grounding
NEMA L10-20, 20A 125/250V
NEMA L11-20, 20A 250V 3Ø
NEMA L12-20, 20A 480V 3Ø



INDUSTRIAL
COMMERCIAL

E-36 LOCKING DEVICES

20A 3 Pole, 3 Wire Commercial Specification Grade Receptacles

FEATURES

- Rugged nylon face and body.
- Clearly marked rating, NEMA configuration and approval listings on receptacle face.
- One piece brass contacts offer superior performance and minimum heat rise.
- Back wire terminal clamps for easy secure wiring.
- Combination head screws standard - slot/Phillips.

Commercial Specification Grade Receptacles

Rating					
A	V/AC	NEMA	Description	Color	Catalog No.
20	125/250	L10-20	Single	Black	L1020R
20	250V 3Ø	L11-20	Single	Black	L1120R
20	480V 3Ø	L12-20	Single	Black	L1220R*

*Not NOM

20A 3 Pole, 3 Wire Commercial Grade Locking Plugs and Connectors

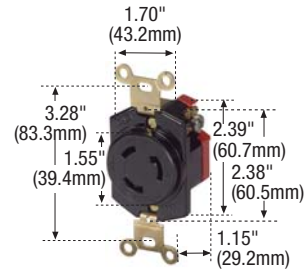
FEATURES

- Abuse resistant thermoplastic construction.
- Back wire Dead-Front design.
- External cable clamp provides firm strain relief.
- Back wire terminal clamps for easy secure wiring.
- Individual wiring compartments with tapered channel for easy insertion of wires.
- Triple combination head screws standard - slot/Phillips/Robertson for use in the U.S. and Canada.
- Clear cover over wiring compartments allow easy inspection of wiring terminations.
- Clearly marked rating, NEMA configuration and standard compliances on face of plug or connector.

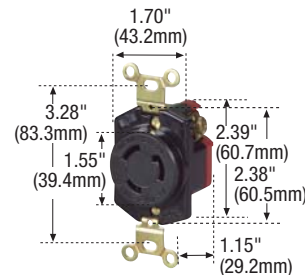
Commercial Grade Locking Plugs and Connectors

Rating			Description/ Cord Diameter	Color	Catalog No.	
A	V/AC	NEMA			Plug	Connector
20	125/250	L10-20	Straight: 0.25"-0.69" (6.35mm-17.5mm)	Black & White	L1020P	L1020C
20	250V 3Ø	L11-20	Straight: 0.25"-0.69" (6.35mm-17.5mm)	Black & White	L1120P	L1120C

NOTE: Weather Protective Covers from Cooper Wiring Devices that may be used with these products are described on pages E-71 in this section.



L1020R



L1120R



L1020P



L1120C

TESTING & CODE COMPLIANCE

- Listed to UL 498 Receptacles: (file no. E15058) Plugs & Connectors: (file no. E15012).
- NOM Certified, except as noted.

MATERIAL CHARACTERISTICS

- Receptacles: Nylon.
- Plugs, Connectors: Polycarbonate & PVC.
- Meets flammability requirements per UL 94. V2 rated.
- Temperature Rating: Receptacles: -40°C to 70°C. Plugs & Connectors: -20°C to 60°C.



INDUSTRIAL
COMMERCIAL

E-37 LOCKING DEVICES

TESTING & CODE COMPLIANCE

- Listed to UL 498 (file no. E15058).
- UL Listed to Federal Spec. WC-596.
- NOM Certified, except as noted.

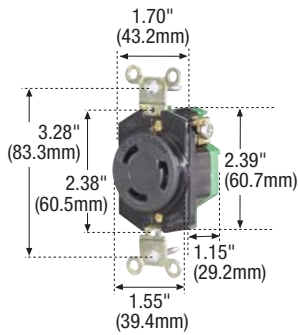
MATERIAL CHARACTERISTICS

Nylon.
Meets flammability requirements per UL 94, V2 rated.
Temperature Rating:
-40°C to 70°C.

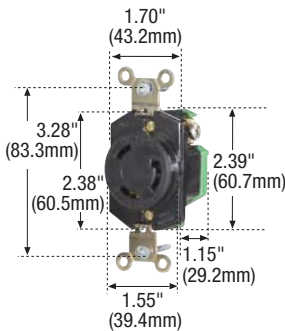


Commercial Specification Grade Locking Devices

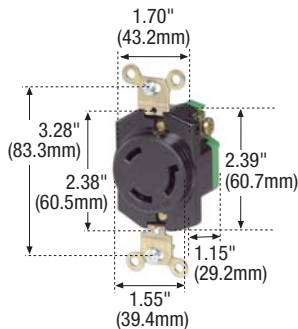
**3 Pole, 3 Wire Non-Grounding
Non-NEMA, 30A 125/250V
NEMA L10-30, 30A 125/250V
NEMA L11-30, 30A 250V 3Ø
NEMA L12-30, 30A 480V 3Ø
NEMA L13-30, 30A 600V 3Ø**



3330



L1030R



L1230R

30A 3 Pole, 3 Wire Commercial Specification Grade Receptacles

FEATURES

- Rugged nylon face and body.
- Clearly marked rating, NEMA configuration and approval listings on receptacle face.
- One piece brass contacts offer superior performance and minimum heat rise.
- Back wire terminal clamps for easy secure wiring.
- Combination head screws standard – slot/Phillips in the U.S.

Commercial Specification Grade Receptacles

Rating	A	V/AC	NEMA	Description	Color	Catalog No.
30	125/250		Non-NEMA	Single	Black	3330*
30	125/250		L10-30	Single	Black	L1030R
30	250V 3Ø		L11-30	Single	Black	L1130R
30	480V 3Ø		L12-30	Single	Black	L1230R*
30	600V 3Ø		L13-30	Single	Black	L1330R*

*Not NOM

NOTE: Weather Protective Covers from Cooper Wiring Devices that may be used with these products are described on page E-71 in this section.



L10-30R



L11-30R



L12-30R



L13-30R



**RECEPTACLE
NON-NEMA
30A 125/250V**

Commercial Specification Grade Locking Devices

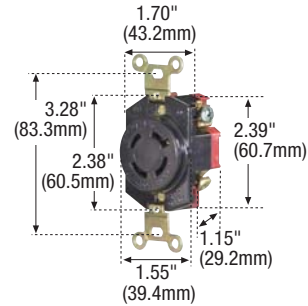
3 Pole, 4 Wire Grounding
 NEMA L14-20, 20A 125/250V
 NEMA L15-20, 20A 250V 3Ø
 NEMA L16-20, 20A 480V 3Ø



20A 3 Pole, 4 Wire Commercial Specification Grade Receptacles

FEATURES

- Rugged nylon face and body.
- Clearly marked rating, NEMA configuration and approval listings on receptacle face.
- One piece brass contacts offer superior performance and minimum heat rise.
- Back wire terminal clamps for easy secure wiring.
- Combination head screws standard - slot/Phillips in the U.S.



L1620R

Commercial Specification Grade Receptacles

Rating	A	V/AC	NEMA	Description	Color	Catalog No.
20		125/250	L14-20	Single	Black	L1420R
20		250V 3Ø	L15-20	Single	Black	L1520R
20		480V 3Ø	L16-20	Single	Black	L1620R*

*Not CSA or NOM

20A 3 Pole, 4 Wire Commercial Specification Grade Locking Plugs and Connectors

FEATURES

- Abuse resistant thermoplastic construction.
- Back wire Dead-Front design.
- External cable clamp provides firm strain relief.
- Back wire terminal clamps for easy secure wiring.
- Individual wiring compartments with tapered channel for easy insertion of wires.
- Triple combination head screws standard - slot/Phillips/Robertson for use in the U.S. and Canada.
- Clear cover over wiring compartments allow easy inspection of wiring terminations.
- Clearly marked rating, NEMA configuration and standard compliances on face of plug or connector.

Commercial Specification Grade Locking Plugs and Connectors

Rating	A	V/AC	NEMA	Description/ Cord Diameter	Color	Plug	Connector
20		125/250	L14-20	Straight: 0.25"-0.69" (6.35mm-17.5mm)	Black & White	L1420P	L1420C
20		250V 3Ø	L15-20	Straight: 0.25"-0.69" (6.35mm-17.5mm)	Black & White	L1520P	L1520C

NOTE: Weather Protective Covers and Boots from Cooper Wiring Devices that may be used with these products are described on pages E-71 and E-72 in this section.



L14-20P

L14-20R

L15-20P

L15-20R

L16-20R



L1420P



L1420C



L1520C

INDUSTRIAL
 COMMERCIAL
 RESIDENTIAL

E-38 LOCKING DEVICES

TESTING & CODE COMPLIANCE

- Listed to UL 498 Receptacles: (file no. E15058). UL verified to Federal Spec. WC-596; Plugs & Connectors: (file no. E15012).
- Certified to CSA C22.2 no.42. Receptacles: (file no. LR6914 (6233-01)). Plugs & Connectors: (file no. LR2081 (6221-02)).
- NOM Certified, except as noted.

MATERIAL CHARACTERISTICS

- Receptacles: Nylon.
- Plugs, Connectors: Polycarbonate & PVC. Meets flammability requirements per UL 94, V2 rated.
- Temperature Rating: Receptacles: -40°C to 70°C Plugs & Connectors: -20°C to 60°C.



INDUSTRIAL
COMMERCIAL

E-39 LOCKING DEVICES

TESTING & CODE COMPLIANCE

- Listed to UL 498 Receptacles: (file no. E15058); UL verified to Federal Spec. WC-596;
- Plugs & Connectors: (file no. E15012).
- CSA Certified to C22.2 no. 42. Receptacles: (file no. LR6914 (6233-01)), Plugs & Connectors: (file no. LR2081 (6221-02)).
- NOM Certified, except as noted.

MATERIAL CHARACTERISTICS

- Receptacles: Nylon.
- Plugs, Connectors: Polycarbonate.
- Meets flammability requirements per UL 94, V2 rated.
- Temperature Rating: Receptacles: -40°C to 70°C. Plugs & Connectors: -20°C to 60°C.



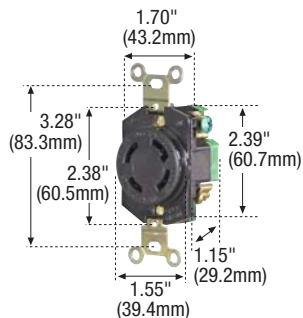
Commercial Specification Grade Locking Devices

3 Pole, 4 Wire Grounding
NEMA L14-30, 30A 125/250V
NEMA L15-30, 30A 250V 3Ø
NEMA L16-30, 30A 480V 3Ø
NEMA L17-30, 30A 600V 3Ø

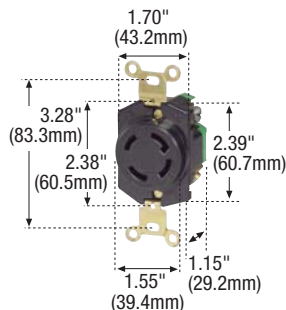
30A 3 Pole, 4 Wire Commercial Specification Grade Receptacles

FEATURES

- Rugged nylon face and body.
- Clearly marked rating, NEMA configuration and approval listings on receptacle face.
- One piece brass contacts offer superior performance and minimum heat rise.
- Back wire terminal clamps for easy secure wiring.
- Combination head screws standard - slot/Phillips in the U.S.



L1430R



L1630R



L1430P

Commercial Specification Grade Receptacles

Rating		NEMA	Description	Color	Catalog No.
A	V/AC				
30	125/250	L14-30	Single	Black	L1430R
30	250V 3Ø	L15-30	Single	Black	L1530R
30	480V 3Ø	L16-30	Single	Black	L1630R*
30	600V 3Ø	L17-30	Single	Black	L1730R*

*Not NOM

30A 3 Pole, 4 Wire Commercial Specification Grade Locking Plugs and Connectors

FEATURES

- Abuse resistant thermoplastic construction.
- Back wire Dead-Front design.
- External cable clamp provides firm strain relief.
- Back wire terminal clamps for easy secure wiring.
- Individual wiring compartments with tapered channel for easy insertion of wires.
- Triple combination head screws standard - slot/Phillips/Robertson for use in the U.S. and Canada.
- Clear cover over wiring compartments allow easy inspection of wiring terminations.
- Clearly marked rating, NEMA configuration and standard compliances on face of plug or connector.

Commercial Specification Grade Locking Plugs and Connectors

Rating		NEMA	Description/ Cord Diameter	Color	Catalog No.	
A	V/AC				Plug	Connector
30	125/250	L14-30	Straight: 0.25"-0.69" (6.35mm-17.5mm)	Black & White	L1430P	L1430C
30	250V 3Ø	L15-30	Straight: 0.25"-0.69" (6.35mm-17.5mm)	Black & White	L1530P	L1530C
30	480V 3Ø	L16-30	Straight: 0.25"-0.69" (6.35mm-17.5mm)	Black & White	L1630P	L1630C

NOTE: Weather Protective Covers from Cooper Wiring Devices that may be used with these products are described on pages E-71 in this section.



Commercial Specification Grade Locking Devices

4 Pole, 4 Wire Non-Grounding
 NEMA L18-20, 20A 120/208V 3ØY
 NEMA L19-20, 20A 277/480V 3ØY
 NEMA L20-20, 20A 347/600V 3ØY
 NEMA L18-30, 30A 120/208V 3ØY
 NEMA L19-30, 30A 277/480V 3ØY
 NEMA L20-30, 30A 347/600V 3ØY



INDUSTRIAL
COMMERCIAL

E-40 LOCKING DEVICES

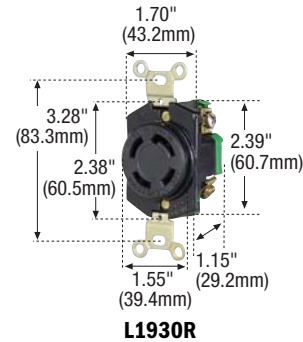
20A 4 Pole, 4 Wire Commercial Specification Grade Receptacles

FEATURES

- Rugged nylon face and body.
- Clearly marked rating, NEMA configuration and approval listings on receptacle face.
- One piece brass contacts offer superior performance and minimum heat rise.
- Back wire terminal clamps for easy secure wiring.
- Combination head screws standard - slot/Phillips.

Commercial Specification Grade Receptacles

Rating	A	V/AC	NEMA	Description	Color	Catalog No.
20		120/208V 3ØY	L18-20	Single	Black	L1820R
20		277/480V 3ØY	L19-20	Single	Black	L1920R
20		347/600V 3ØY	L20-20	Single	Black	L2020R



L1930R

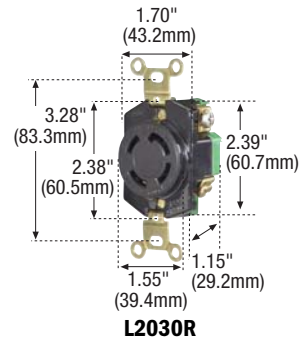
30A 4 Pole, 4 Wire Commercial Specification Grade Receptacles

FEATURES

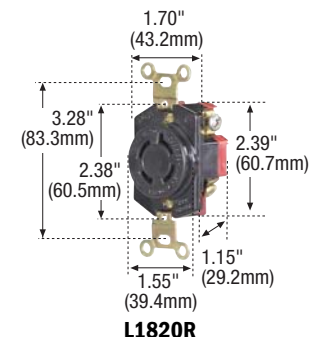
- Rugged nylon face and body.
- Clearly marked rating, NEMA configuration and approval listings on receptacle face.
- One piece brass contacts offer superior performance and minimum heat rise.
- Back wire terminal clamps for easy secure wiring.
- Combination head screws standard - slot/Phillips.

Commercial Specification Grade Receptacles

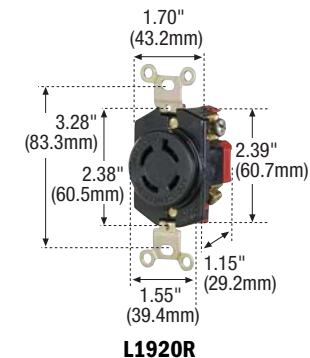
Rating	A	V/AC	NEMA	Description	Color	Catalog No.
30		120/208V 3ØY	L18-30	Single	Black	L1830R
30		277/480V 3ØY	L19-30	Single	Black	L1930R
30		347/600V 3ØY	L20-30	Single	Black	L2030R



L2030R



L1820R



L1920R

TESTING & CODE COMPLIANCE

· Listed to UL 498 (file no. E15058).
 UL Listed to Federal Spec. WC-596.

MATERIAL CHARACTERISTICS

Nylon.
 Meets flammability requirements per UL 94, V2 rated.
 Temperature Rating: -40°C to 70°C.

